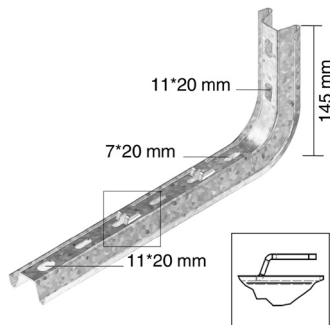


LOMEGACL 150

Snap-in wall bracket for VF/VFL



Width	Max. load (in daN)
200	350
300	250
350	200
450	150
550	100

On Demand	Powder coating
Standard finish	Pre-galvanised
Optional finish 1	Hot-dip galvanised

1	Reference	Height	Width	Thickness	Length	kg/piece	Packaging	Stock	Unit
HD	- LOMEGACL 150*150	145	195	-	-	0,33	12	✓	piece
HD	- LOMEGACL 150*200	145	245	-	-	0,38	12	✓	piece
HD	- LOMEGACL 150*300	145	345	-	-	0,48	12	✓	piece
HD	- LOMEGACL 150*400	145	445	-	-	0,59	12	✓	piece

To use with :

LOMEGACL 150*150 :
VF(L) 35*100, VF(L) 35*150, VF(L) 60*100, VF(L) 60*150

LOMEGACL 150*200 :
VF(L) 35*150, VF(L) 35*200, VF(L) 60*150, VF(L) 60*200

LOMEGACL 150*300 :
VF(L) 35*200, VF(L) 35*250, VF(L) 60*200, VF(L) 60*300

LOMEGACL 150*400 :
VF(L) 35*350, VF(L) 60*300, VF(L) 60*400

Max. load (in daN): uniformly distributed over complete width of cantilever brackets.