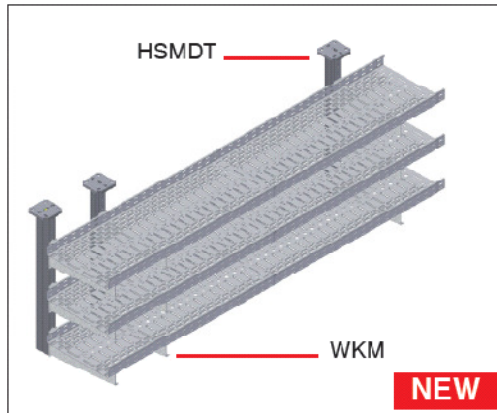


Press release Light + Building 2010

11th April 2010 : Novelties within E90 Fire-Resistant Systems



1. NEW SUPPORTING CONSTRUCTINGS

Vergokan recently tested new standard and non-standard constructions, according to the DIN 4102-12 standard. This resulted in a serious update of Vergokan's E90 Fire-Resistant Systems.

The most important new supporting construction is the mounting without threaded rod. (See picture)

Vergokan offers from now on a comprehensive range of fire-resistant systems, offering standard and non-standard supporting constructions.

E90 standard supporting constructions:

1. Cable tray KBS 60 (gauge 1.5 mm)
 - a. with threaded rod
 - b. with double threaded rod
2. Vertical mounting with cable ladder KL 60
3. Cable ladder KLBS 60
4. Cable clamps

E90 non-standard supporting constructions:

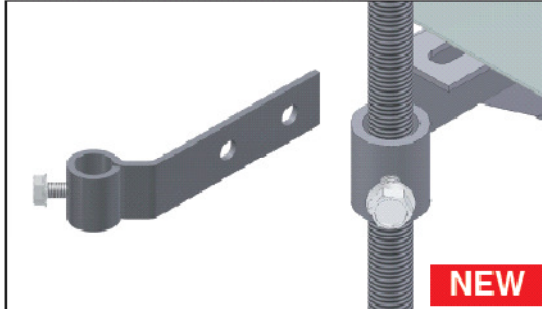
1. Basket tray VF 60
2. Cable tray KBSI 60 (gauge 1 mm)
 - a. without threaded rod
 - b. with threaded rod
 - c. with double threaded rod
3. Cable tray KBSI 60 (gauge 1.25 mm)
 - a. with threaded rod

2. NEW PRODUCTS

Vergokan also launches 4 new products, especially for this product range of fire-resistant systems.

NEW : Clamp for fixation of threaded rod

Reference: BSKLEM



Up to 25% time-saving

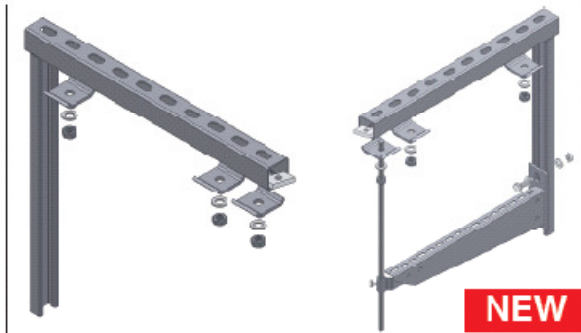
Userfriendly

ADVANTAGES

- Very fast securing of the threaded rod TIM using a clamping bolt
- Threaded rod can be mounted in 1 continuous length
- No additional bolts and nuts needed
- Applicable on WK and KCLBS
- Diameter of the threaded rod TIM not of influence

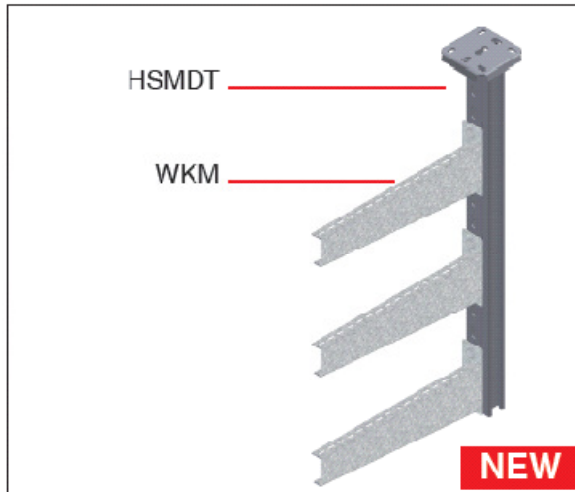
NEW : Ceiling profile

Reference: HSLEBS



ADVANTAGES

Only 2 fixing points needed, when using the new ceiling profile HSLEBS



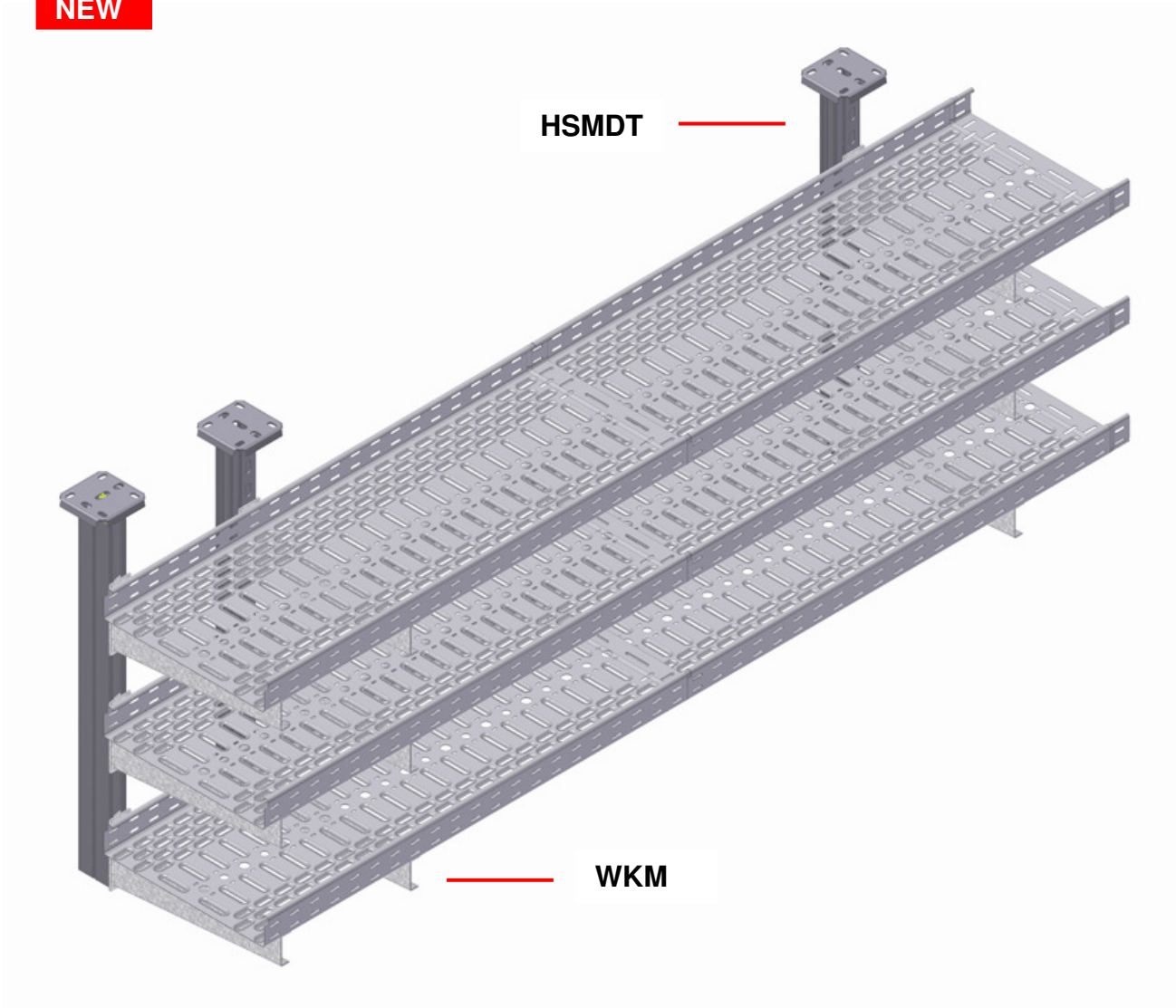
ADVANTAGES

Mounted without threaded rod
Wall mounting possible with WKM

Vergokan, Light+Building, Hal 8.0, B91
T: +32.55.31.83.35
benelux@vergokan.com
export@vergokan.com

MOUNTING WITHOUT THREADED ROD

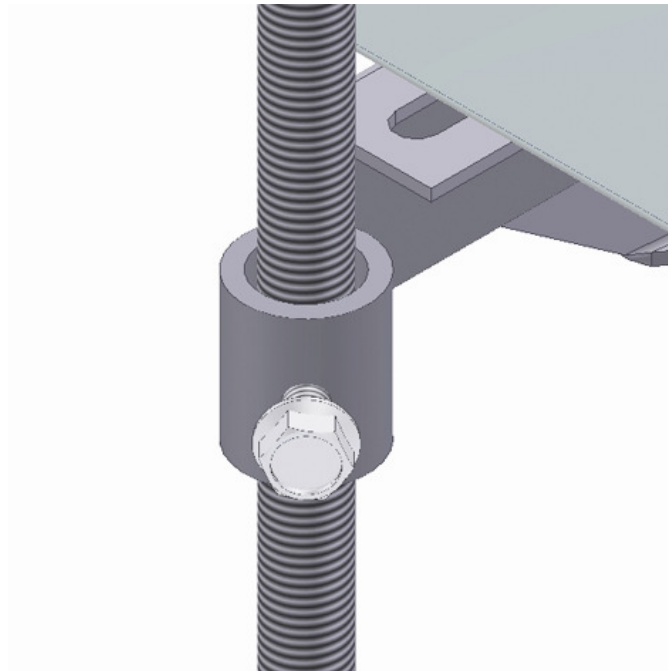
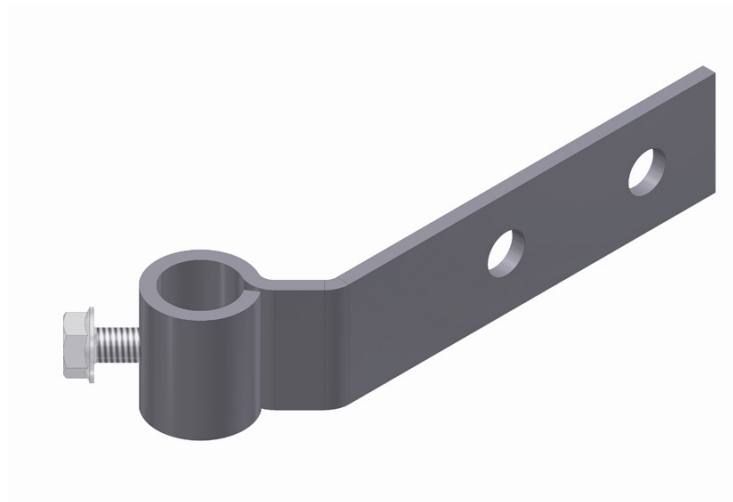
NEW



BSKLEM : CLAMP FOR FIXATION OF THREADED ROD

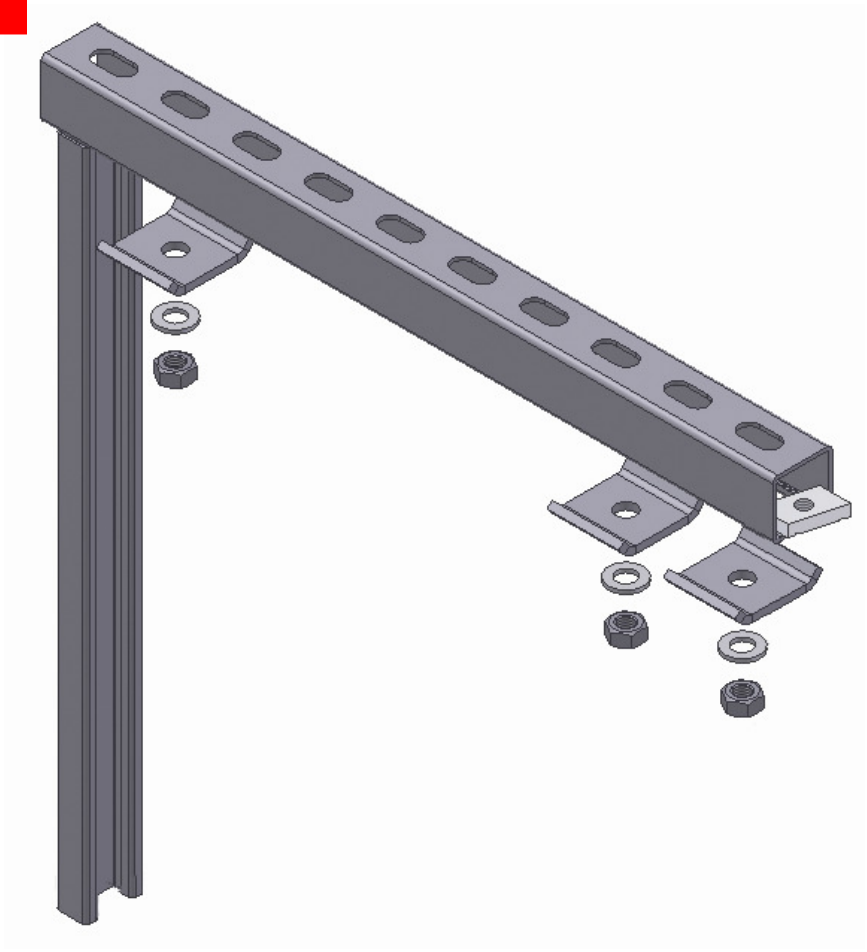
Up tot 25% time-saving
Userfriendly

NEW



HSLEBS : CELING PROFILE

NEW



CEILING PROFILE HSMDT AND BRACKET WKM

NEW

