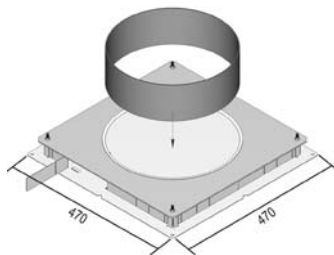


PANDORA R

Pandora floorbox round



for all widths of floor trunkings
for KDRV 6*304 and BDRV 11*304

Standard finish

Pre-galvanised

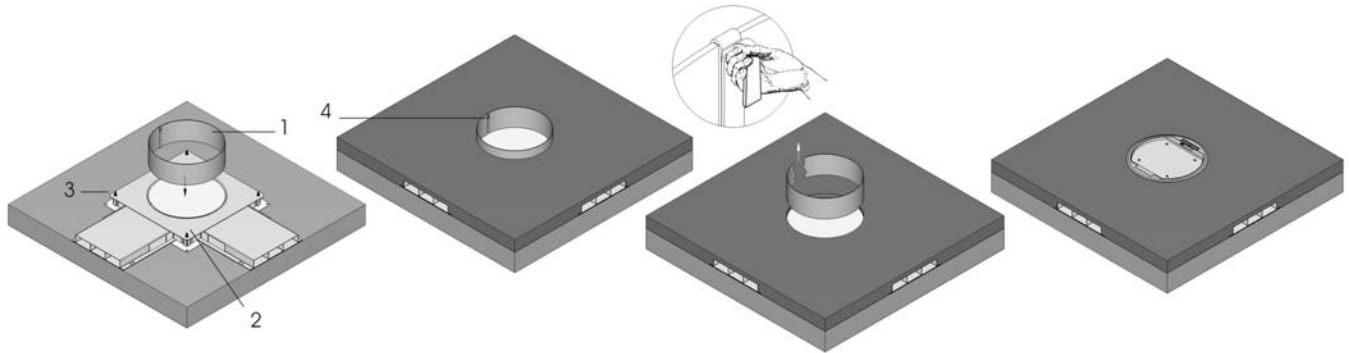
1		Reference	Height	Width	Thickness	Length	kg/piece	Packaging	Stock	Unit			
-	-	PANDORAR 28*304	28	470	-	-	5,770	1	✓	piece			
-	-	PANDORAR 38*304	38	470	-	-	5,880	1	✓	piece			
-	-	PANDORAR 48*304	48	470	-	-	6,010	1	✓	piece			

More technical specifications for this product can be found at the end of this chapter.

Tested according to VDE 0634 part 2.

PANDORA R

Mounting principle



Concept:

- See PANDORA V
 - A plastic-covered cardboard tube is used (1). This is placed in the aperture of the lid of the PANDORAR R (2).
 - The tube is held in place in turn by a plastic seal (3) around secured around the aperture in the lid.
 - The PANDORA R is fitted with 4 screws that indicate the minimum height of the concrete screed 35 mm (3)
 - The tube is coiled in a spiral shape, and removed once the screed has hardened.
- This is done by means of a strip made out of plastic (4).

Benefits for you:

- No longer any need to level.
- No raising frame is needed.
- Since the PANDORA R floorbox and the KDRV 6*304 are not connected, this provides perfect vibration damping.
- The 4 screws on the corners provide a visual check on the minimum thickness of the concrete screed.
- Only 1 floorbox for the various widths of floor trunking.

Tested according to VDE 0634 part 2.