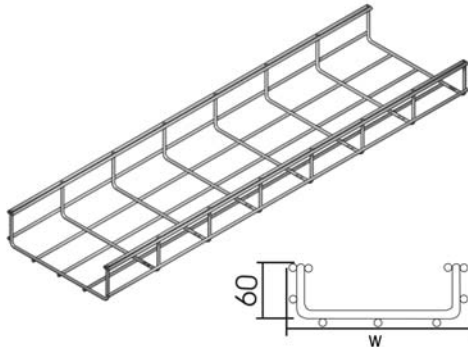


## VF 60

### Wire cable tray heavy duty



Screen : 50 x 100 mm  
Thread : Ø 5 mm

Standard finish

Electro zinc-plated

Optional finish 1

Hot-dip galvanised

1	Reference	Height	Width	Thickness	Length	kg/m	Packaging	Stock	Unit			
HD	- VF 60*150	60	150	-	3000	1,340	20	✓	m			
HD	- VF 60*200	60	200	-	3000	1,530	30	✓	m			
HD	- VF 60*300	60	300	-	3000	1,920	30	✓	m			
HD	- VF 60*400	60	400	-	3000	2,300	30	✓	m			

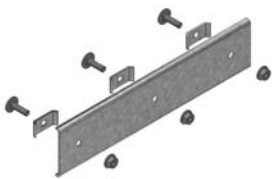
To fix with:

HD	- VFK	-	-	-	-	0,020	100	✓	piece			
----	-------	---	---	---	---	-------	-----	---	-------	--	--	--

More technical specifications for this product can be found at the end of this chapter.

## VFKS

### Support joint for VF/VFL



Standard finish

Pre-galvanised

Optional finish 1

Hot-dip galvanised

1	Reference	Height	Width	Thickness	Length	kg/piece	Packaging	Stock	Unit			
HD	- VFKS	60	-	-	-	0,270	10	✓	piece			

For maximum stability and safety. Can only be used with 'VF 60'.  
Toothed round head RBK 6\*20 and nut RM 8 inclusive.