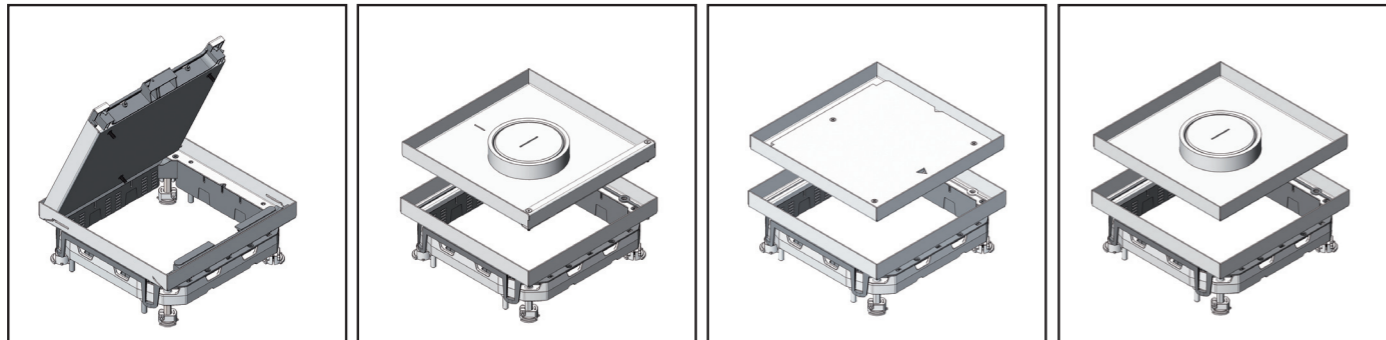


Standard finish: Stainless Steel (Tested according to EN 50085-2-2)



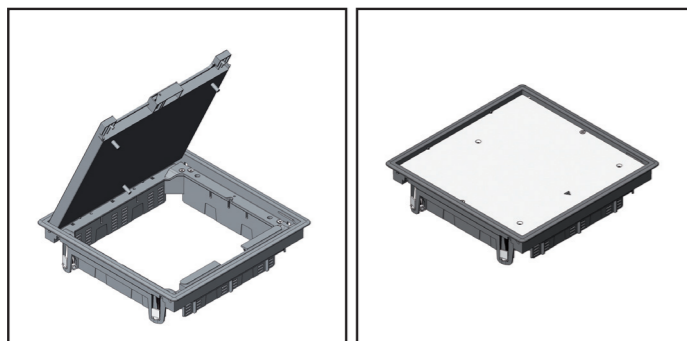
KDVT 3

KDVTWD 3

BDVTWD 3

DVTWD 3

Standard finish: Polypropylene (Tested according to EN 50085-2-2)



KDVKK 3

BDVKK 3



FLOOR INSTALLATIONS - © 2014 Vergokan - All rights reserved. Contents may be modified without prior notice. Published by Vergokan, Meersbloem Melden 16, 9700 Oudenaarde, Belgium

Uniform floor system
... innovative, performance and flexible !

One floor box with unique design... fits all floor trunking!

Vergokan presents a totally new uniform floor system: extremely flexible and easy to install. The new range of floor covers and apparatus boxes is user friendly and made with a minimalistic design.

Vergokan launches an out-of-the-box total redesign of their floor system. The new, unique floor box fits all sizes of trunking. Height and width can easily be adjusted to suit the trunking or conduit being used. Depending on the shape of the cover, a form element that consists of two identical thin walled parts is clipped onto the floor box. This modular element is clipable, stackable, light weight and allows for a screed floor of 65 mm up to 300 mm to be poured without prior leveling. After the screed has set, the form element is simply cut off leaving a perfect finish for installation of the cover.

Hinged and blind covers for all different types and thicknesses of floor finish feature a minimalistic and uniform design that makes them combinable and very discrete. The plastic frame can contain 2 or 3 universal apparatus boxes or a new and fully clipable apparatus box for low depth screed.

The integrated cable outlet is provided with an organizer which significantly reduces the risk of cable damage.

Leveling the floor covers

An approximate level of the floor covers can quickly be established through the installation of modular elements. Final leveling is achieved when the cover is fixed in place.

Vergokan offers a quality and very easy to install floor system. The low installation time makes this floor system a competitive player to the market.

Modular system

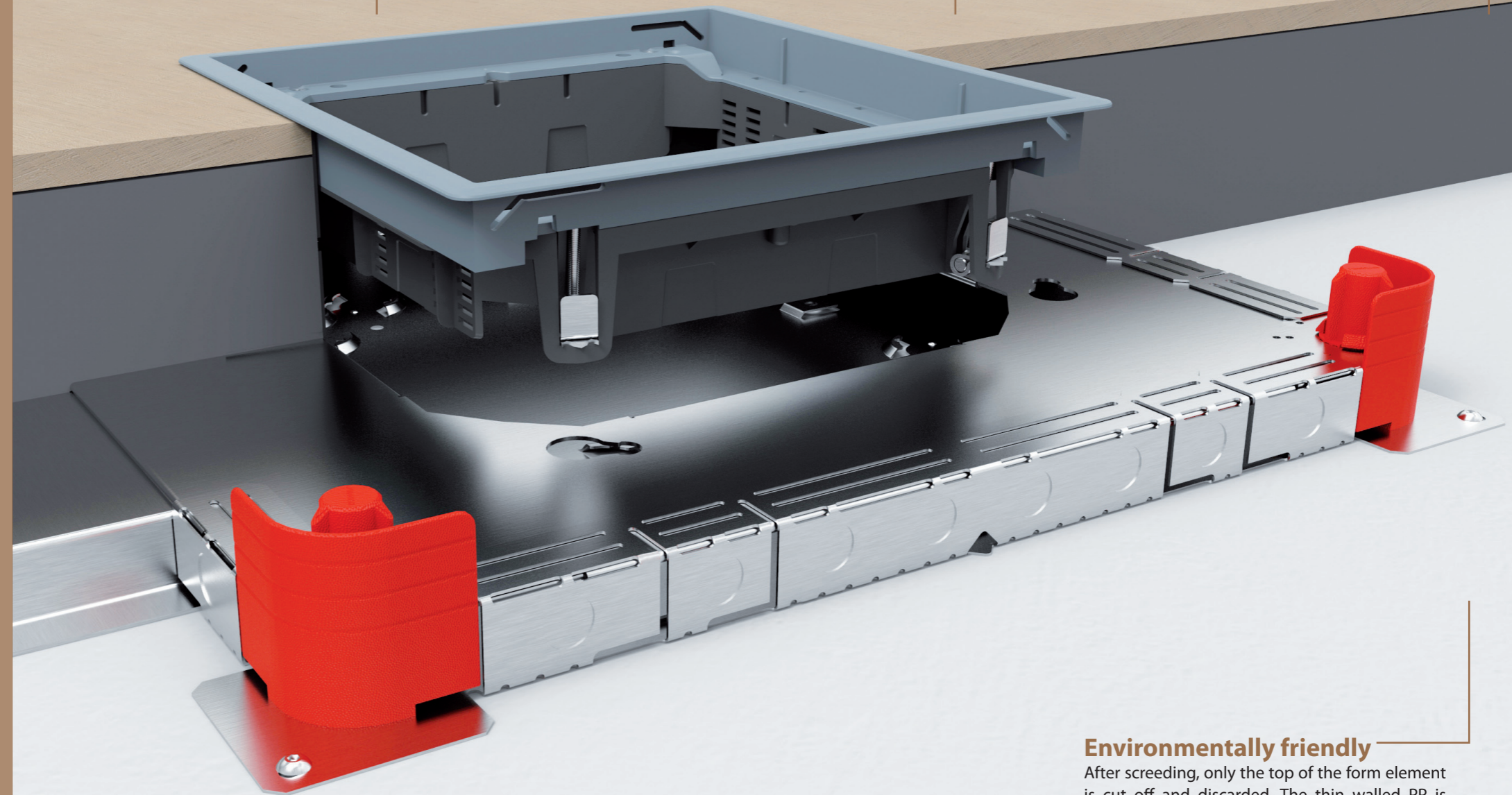
All covers with adjustable recess. Stainless steel covers for installation in tiled floors, epoxy resin floors, hardwood floors, polished concrete floors,... Plastic covers for carpet, vinyl, laminate, ...

Self leveling

No need to level any of the boxes before screeding. The form element leaves a clean and borderless cutout in the screed or polished concrete floor.

Easy to install

With different parts, but always through the same installation sequence, different goals can be achieved. In other words, time is money!



- One unique floor box.

- Uniform design of the covers: Different shapes or dimensions can be combined in one project.

- Uniform fixing clamps: One type of clamp fits the covers either in the screed or in a raised floor system.

Environmentally friendly

After screeding, only the top of the form element is cut off and discarded. The thin walled PP is recyclable.