



TECHNICKÝ A SKÚŠOBNÝ ÚSTAV STAVEBNÝ, n. o.
BUILDING TESTING AND RESEARCH INSTITUTE, Slovak Republic
Studená 3, 821 04 Bratislava

SK – CERTIFICATE OF CONFORMITY

SK04 – ZSV – 1563

In compliance with the Act No. 90/1998 Coll. on Construction Products as amended, it has been stated that the construction product:

Cable carrier system VERGOKAN with a functional fire resistance
of the types listed in Annex 1 on reverse side of the certificate,

with the intended use of the system to provide operation of electrical power supply and control of fire technical, alerting, technical and technological equipments in buildings, which equipments have to be operational during fire for specified time, while the system, as the non-standard one, may be exploited only with cable types manufactured by DÄTWYLER, PRYSMIAN and PRAKAB, that were applied in full scope testing of the system in accordance with requirements of standards STN 92 0205 for classification PS 30 to PS 90, resp. DIN 4102-12 for classification E 30 to E 90, resp. the test procedure ZP 27/2008 PAVUS for classification P 30-R to P 90-R,

placed on the market by

VERGOKAN NV
Meersbloem Melden 16, 9700 Oudenaarde
Belgium

and produced in the factory

VERGOKAN NV
Meersbloem Melden 16, 9700 Oudenaarde
Belgium

is submitted by the manufacturer to a factory production control and to the further testing of samples taken at the factory in accordance with a prescribed test plan and that the approved body

Technický a skúšobný ústav stavebný, n. o.

has performed the initial type-testing for the relevant characteristics of the product, the initial inspection of the factory and of the factory production control and performs the continuous surveillance, assessment and approval of the factory production control.

This certificate attests that all provisions concerning the attestation of conformity and the performances described in the Technical Approval

TO – 11/0152

were applied and that the product fulfils all the prescribed requirements.

This certificate was first issued on 4 November 2011 and remains valid as long as the conditions laid down in the Technical Approval in reference or the manufacturing conditions in the factory or the factory production control itself are not modified significantly.

In Bratislava on November 4, 2011




Ing. Daša Kozáková
Head of Approved Body SK04

045035

Annex 1 of the certificate SK04 – ZSV – 1563

Types of cable carrier system VERGOKAN with a functional fire resistance:

- KBSI 60x100x0,75, KBSI 60x150x0,75, KBSI 60x200x0,75, KBSI 60x250x0,75, KBSI 60x300x0,75 (cable tray – trench);
- KBSI 60x100x1,00, KBSI 60x150x1,00, KBSI 60x200x1,00, KBSI 60x250x1,00, KBSI 60x300x1,00, KBSI 60x400x1,00, (cable tray – trench);
- KBSTI 60x150x0,75, KBSTI 60x200x0,75, KBSTI 60x250x0,75, KBSTI 60x300x0,75, (cable tray – trench);
- KBSTI 60x150x1,00, KBSTI 60x200x1,00, KBSTI 60x250x1,00, KBSTI 60x300x1,00, KBSTI 60x400x1,00, (cable tray – trench);
- WKM 100, WKM 200, WKM 300, WKM 400, (brackets);
- HSMU 50x300, HSMU 50x400, HSMU 50x500, HSMU 50x600, HSMU 50x800, HSMU 50x1000, HSMU 50x1200, (suspended ceiling profiles);
- TSU 50 (spacer).

Detailed combinations of the cable carrier system with the cable types are specified in Annex 3 of the technical approval TO – 11/0152 issued by the Approval Body OM 04 of Technický a skúšobný ústav stavebný, n. o..



Autorizovaná osoba
MVRR SR SK01
Approved Body No. SK01

Notifikovaná osoba č. 1396
Notified Body No. 1396

Člen EGOLF
EGOLF Member

Akreditovaný
certifikačný orgán
Accredited
Product Certification Body

Akreditovaný inšpekčný orgán
Accredited Inspection Body

Akreditované
skúšobné laboratórium
Accredited Testing Laboratory

preukazovanie zhody
stavebných výrobkov
conformity attestation
of construction products

inšpekcie
vnútropodnikovej kontroly
inspection
of factory production control

skúšky a klasifikácia
požiarnej odolnosti,
reakcie na oheň,
mechanicko-fyzikálnych
vlastností
testing and classification of
fire resistance, reaction to fire,
mechanical and physical
properties

teoretické hodnotenie
požiarnej odolnosti výrobkov
calculations of fire resistance

FIRES, s.r.o.
Osloboditeľov 282
059 35 Batizovce
Slovakia
tel.: +421/52/775 22 98
fax: +421/52/788 14 12

IČO: 31701043
IČ DPH: SK2020517059

Ludová banka, a.s.
Poprad
č.ú.:
SK94 3100 0000 0043 1003 7608

S.r.o. zapísaná v Obchodnom registri
Okresného súdu v Prešove, vložka
č. 2093/P, oddiel: Sro.

www.fires.sk

20 JAN. 2016



VERGOKAN

Meersbloem Melden 16
Oudenaarde 9700
Belgium

YOUR REF.

RESPONSIBLE

OUR REF.

BATIZOVCE

Šubert

Su_01_12_2015

01. 12. 2015

Subject: Confirmation

This confirmation allows to:

- use the new type of spacer TSU50 instead of spacer HDTSU50,
- change the construction of tested console (base of console) type HDHSMU in accordance with drawings, which are part of this confirmation,

provided that, rest parameters are without changes.

This confirmation is valid only with appropriate classification report:

FIRES-JR-037-11-NURD/E
FIRES-JR-038-11-NURD/E
FIRES-JR-051-11-NURD/E
FIRES-JR-052-11-NURD/E
FIRES-JR-061-11-NURE
FIRES-JR-062-11-NURE

The construction contractor is solely responsible for proper preparation.

Best regards Bc. Dávid Šubert
technician of testing laboratory



FIRES 204/F-30/11/2015

Autorizovaná osoba
MVRR SR SK01
Approved Body No. SK01

Notifikovaná osoba č. 1396
Notified Body No. 1396

Člen EGOLF
EGOLF Member

Akreditovaný
certifikačný orgán
Accredited
Product Certification Body

Akreditovaný inšpekčný orgán
Accredited Inspection Body

Akreditované
skúšobné laboratórium
Accredited Testing Laboratory

preukazovanie zhody
stavebných výrobkov
conformity attestation
of construction products

inšpekcie
vnútropodnikovej kontroly
inspection
of factory production control

skúšky a klasifikácia
požiarnej odolnosti,
reakcie na oheň,
mechanicko-fyzikálnych
vlastností
testing and classification of
fire resistance, reaction to fire,
mechanical and physical
properties

teoretické hodnotenie
požiarnej odolnosti výrobkov
calculations of fire resistance

FIRES, s.r.o.
Osloboditeľov 282
059 35 Batizovce
Slovakia
tel.: +421/52/775 22 98
fax: +421/52/788 14 12

IČO: 31701043
IČ DPH: SK2020517059

Ludová banka, a.s.
Poprad
č.ú.:
SK94 3100 0000 0043 1003 7608

S.r.o. zapísaná v Obchodnom registri
Okresného súdu v Prešove, vložka
č. 2093/P, oddiel: Sro.

Number/Edition	Description of the modification	Scale	Date	By
		1 : 1		
VERGOKAN Meersbloem Meiden 16 Tel. 055/3183 35 9700 Oudenaarde Fax 055/3143 88			FORM	MONT
			A4	3 P
Name			Spacer HDHSMU 50	
Part. Note			[HDTSU50]	
Date			15/06/2011	
Material			1.0037 (Hot-dip)	
Tolerance				
Standard			I.S.O. SYMBOL	
I.S.O. SYMBOL				

item	qty	drawing	reference	description
1	1	45729	[ZTSU50]	TSU verzinkt
2	1	B 10x80 [DIN 933]	[HDB10 80]	HD Zeskantbol
3	2	CRO 10 [DIN 9021]	[HDCRO 10]	HD Carosserierondsel
4	1	M 10 [DIN 934]	[HDM10]	Zeskantmoer M10 (HD)

Autorizovaná osoba
MVRR SR SK01
Approved Body No. SK01

Notifikovaná osoba č. 1396
Notified Body No. 1396

Člen EGOLF
EGOLF Member

Akreditovaný
certifikačný orgán
Accredited
Product Certification Body

Akreditovaný inšpekčný orgán
Accredited Inspection Body

Akreditované
skúšobné laboratórium
Accredited Testing Laboratory

preukazovanie zhody
stavebných výrobkov
conformity attestation
of construction products

inšpekcie
vnútropodnikovej kontroly
inspection
of factory production control

skúšky a klasifikácia
požiarnej odolnosti,
reakcie na oheň,
mechanicko-fyzikálnych
vlastností
testing and classification of
fire resistance, reaction to fire,
mechanical and physical
properties

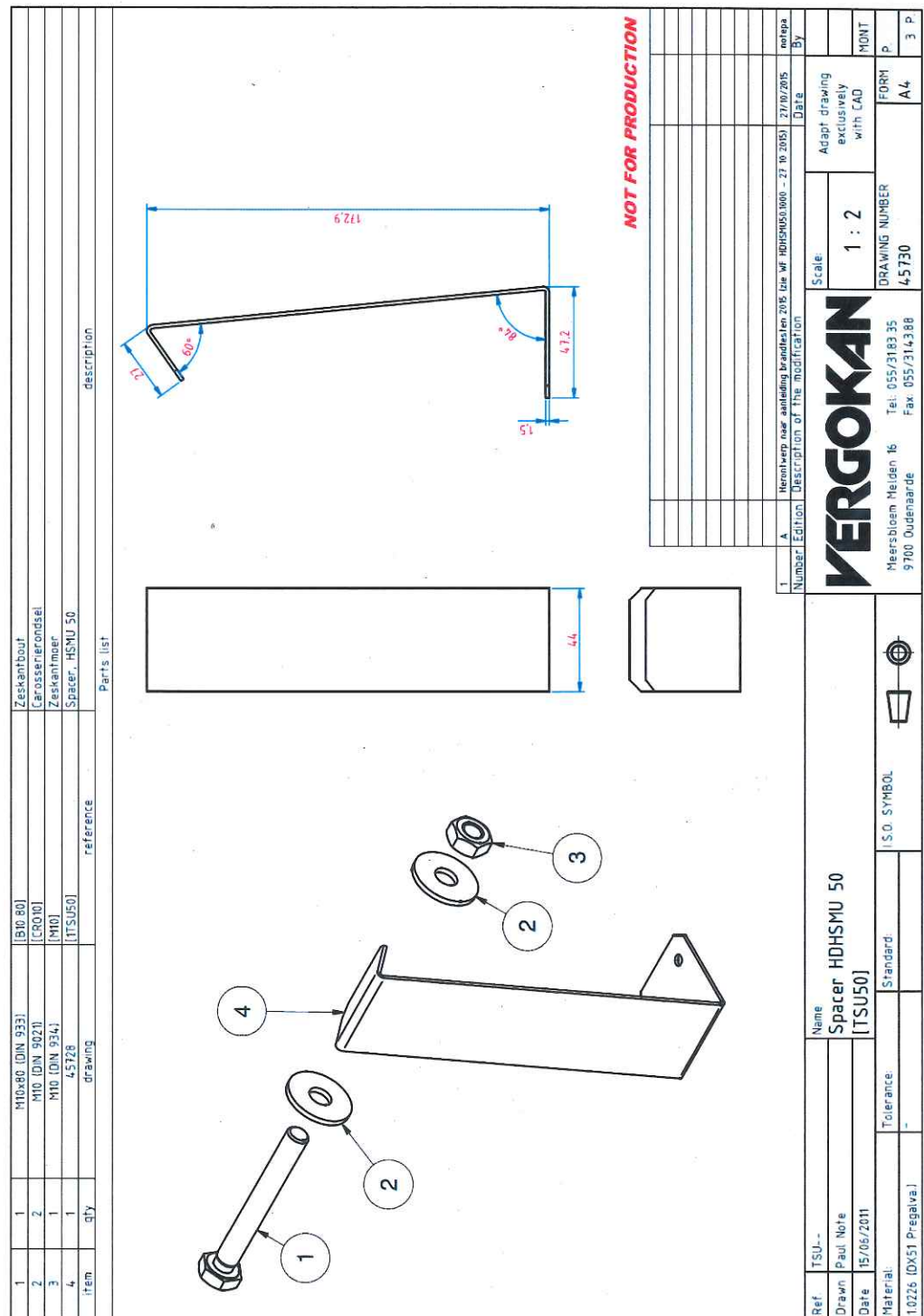
teoretické hodnotenie
požiarnej odolnosti výrobkov
calculations of fire resistance

FIRES, s.r.o.
Osloboditeľov 282
059 35 Batizovce
Slovakia
tel.: +421/52/775 22 98
fax: +421/52/788 14 12

IČO: 31701043
IČ DPH: SK2020517059

Ludová banka, a.s.
Poprad
č.ú.:
SK94 3100 0000 0043 1003 7608

S.r.o. zapísaná v Obchodnom registri
Okresného súdu v Prešove, vložka
č. 2093/P, oddiel: Sro.



Number	Revision	Description of the modification	Date	By
1	A	Herontwerp naar aanleiding brandtesten 2015, zie NF HDHSMU50.0000 - 27.10.2015	27/10/2015	

Scale		1 : 2
DRAWING NUMBER		45730
FORM		A4
P		3 P
MONT		

Name		Spacer HDHSMU 50
Drawn		Paul Nofe
Date		15/06/2011
Material		10226 (DX51 Pregalva)
Tolerance		-
Standard		Standard
I.S.O. SYMBOL		

Description		Zeskantbouf
		[Carosserierondsel
		[M10]
		[ITSU50]
reference		Spacer, HDHSMU 50
Parts list		
item	qty	drawing
1	1	M10x80 (DIN 934)
2	2	M10 (DIN 9021)
3	1	M10 (DIN 934)
4	1	45728

Autorizovaná osoba
MVRR SR SK01
Approved Body No. SK01

Notifikovaná osoba č. 1396
Notified Body No. 1396

Člen EGOLF
EGOLF Member

Akreditovaný
certifikačný orgán
Accredited
Product Certification Body

Akreditovaný inšpekčný orgán
Accredited Inspection Body

Akreditované
skúšobné laboratórium
Accredited Testing Laboratory

preukazovanie zhody
stavebných výrobkov
conformity attestation
of construction products

inšpekcie
vnútro podnikovej kontroly
inspection
of factory production control

skúšky a klasifikácia
požiarnej odolnosti,
reakcie na oheň,
mechanicko-fyzikálnych
vlastností
testing and classification of
fire resistance, reaction to fire,
mechanical and physical
properties

teoretické hodnotenie
požiarnej odolnosti výrobkov
calculations of fire resistance

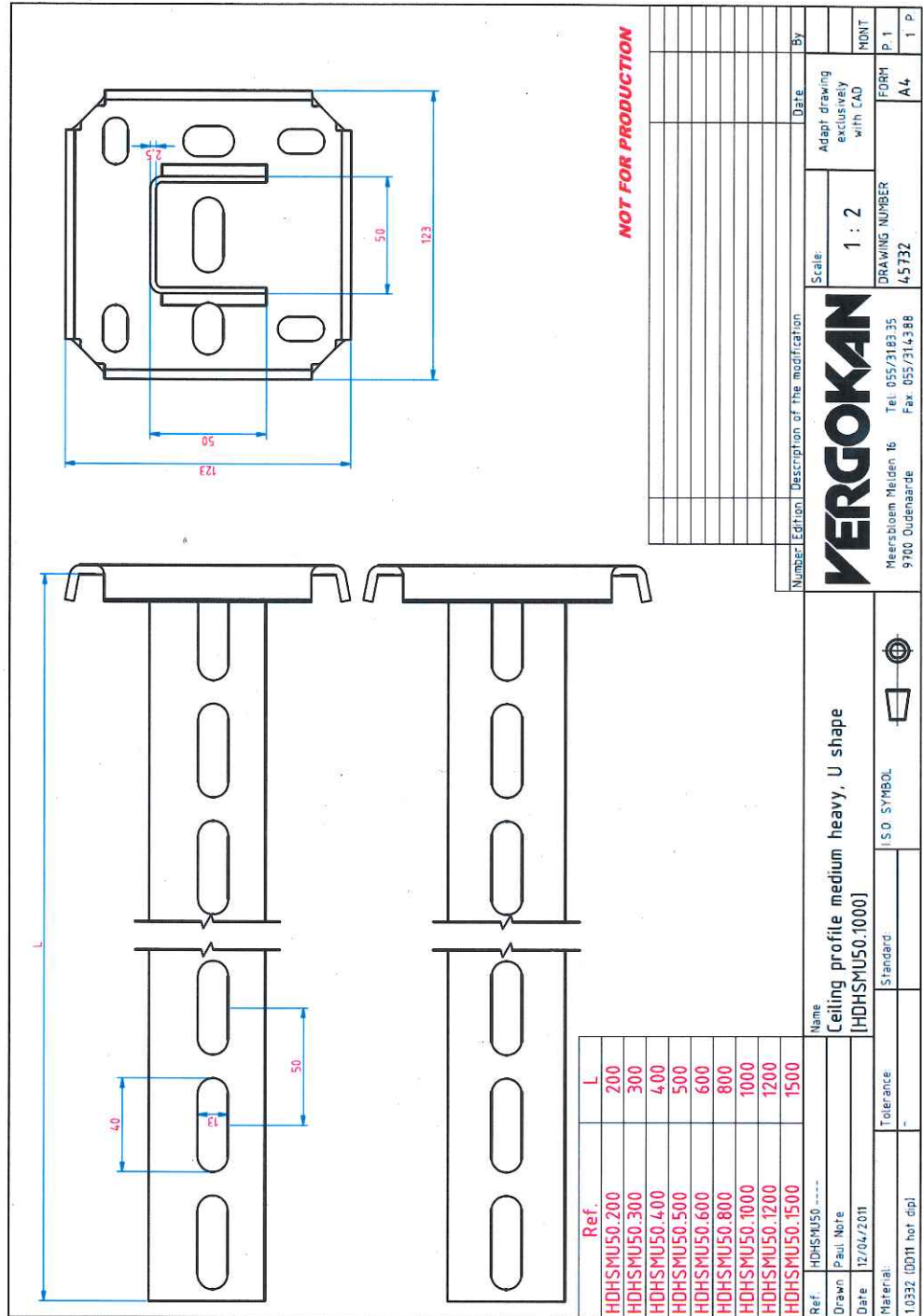
FIRES, s.r.o.
Osloboditeľov 282
059 35 Batizovce
Slovakia
tel.: +421/52/775 22 98
fax: +421/52/788 14 12

IČO: 31701043
IČ DPH: SK2020517059

Ludová banka, a.s.
Poprad
č.ú.:
SK94 3100 0000 0043 1003 7608

S.r.o. zapísaná v Obchodnom registri
Okresného súdu v Prešove, vložka
č. 2093/P, oddiel: Sro.

Tested console:



Autorizovaná osoba
MVRR SR SK01
Approved Body No. SK01

Notifikovaná osoba č. 1396
Notified Body No. 1396

Člen EGOLF
EGOLF Member

Akreditovaný
certifikačný orgán
Accredited
Product Certification Body

Akreditovaný inšpekčný orgán
Accredited Inspection Body

Akreditované
skúšobné laboratórium
Accredited Testing Laboratory

preukazovanie zhody
stavebných výrobkov
conformity attestation
of construction products

inšpekcie
vnútropodnikovej kontroly
inspection
of factory production control

skúšky a klasifikácia
požiarna odolnosti,
reakcie na oheň,
mechanicko-fyzikálnych
vlastností
testing and classification of
fire resistance, reaction to fire,
mechanical and physical
properties

teoretické hodnotenie
požiarna odolnosti výrobkov
calculations of fire resistance

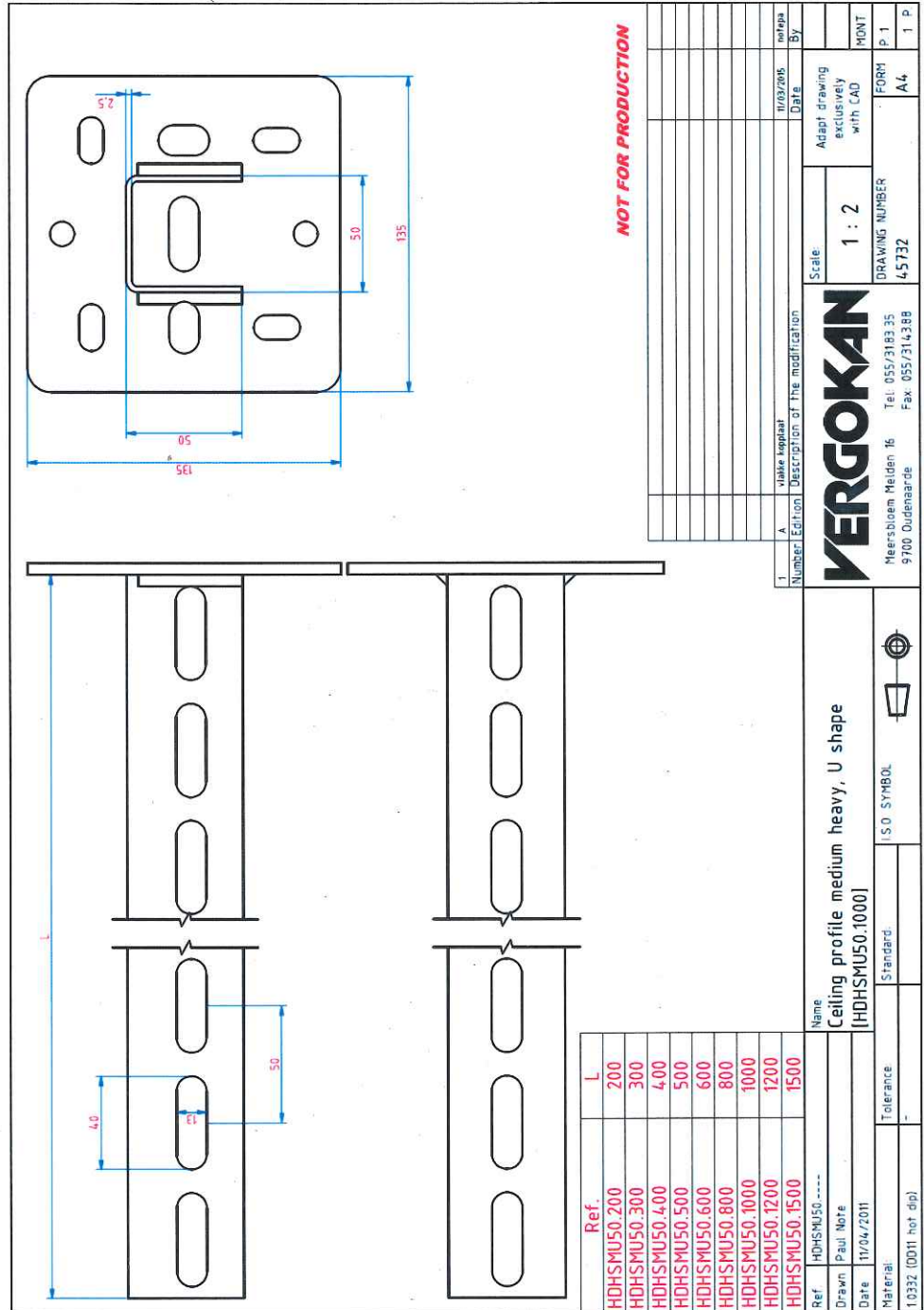
FIRES, s.r.o.
Osloboditeľov 282
059 35 Batizovce
Slovakia
tel.: +421/52/775 22 98
fax: +421/52/788 14 12

IČO: 31701043
IČ DPH: SK2020517059

Ludová banka, a.s.
Poprad
č.ú.:
SK94 3100 0000 0043 1003 7608

S.r.o. zapísaná v Obchodnom registri
Okresného súdu v Prešove, vložka
č. 2093/P, oddiel: Sro.

New console:



Autorizovaná osoba
MVRR SR SK01
Approved Body No. SK01

Notifikovaná osoba č. 1396
Notified Body No. 1396

Člen EGOLF
EGOLF Member

Akreditovaný
certifikačný orgán
Accredited
Product Certification Body

Akreditovaný inšpekčný orgán
Accredited Inspection Body

Akreditované
skúšobné laboratórium
Accredited Testing Laboratory

preukazovanie zhody
stavebných výrobkov
conformity attestation
of construction products

inšpekcie
vnútropodnikovej kontroly
inspection
of factory production control

skúšky a klasifikácia
požiarnej odolnosti,
reakcie na oheň,
mechanicko-fyzikálnych
vlastností
testing and classification of
fire resistance, reaction to fire,
mechanical and physical
properties

teoretické hodnotenie
požiarnej odolnosti výrobkov
calculations of fire resistance

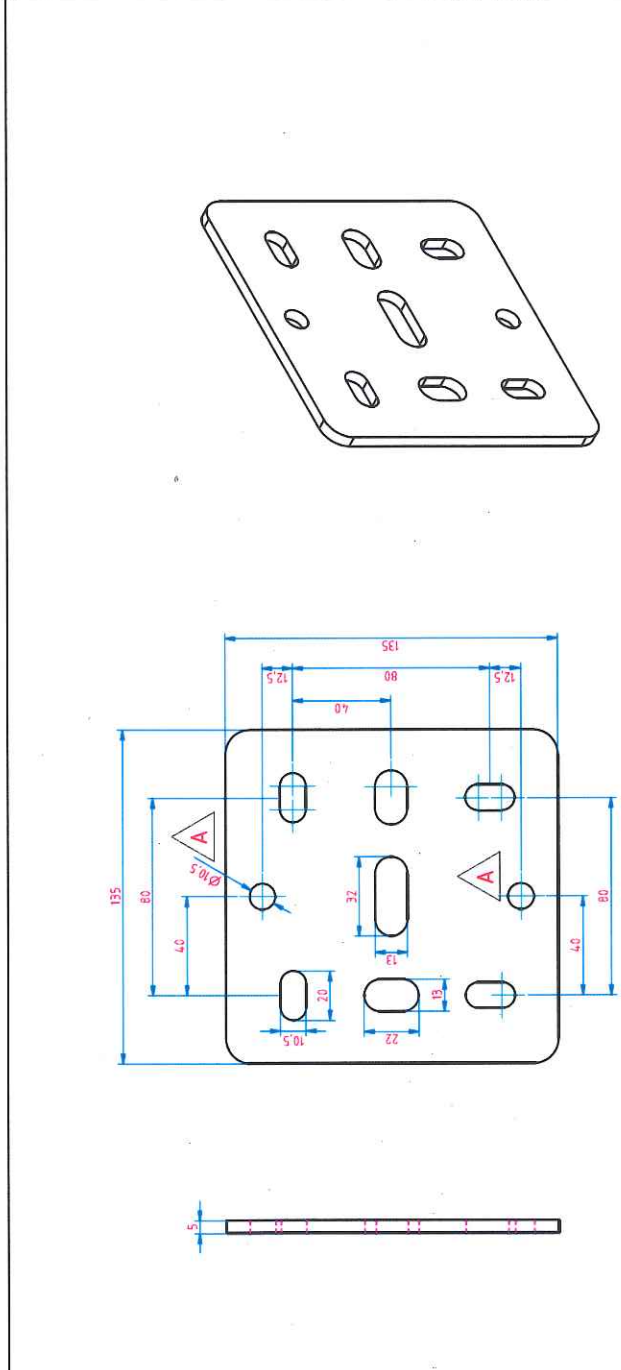
FIRES, s.r.o.
Osloboditeľov 282
059 35 Batizovce
Slovakia
tel.: +421/52/775 22 98
fax: +421/52/788 14 12

IČO: 31701043
IČ DPH: SK2020517059


Ľudová banka, a.s.
Poprad
č.ú.:
SK94 3100 0000 0043 1003 7608

S.r.o. zapísaná v Obchodnom registri
Okresného súdu v Prešove, vložka
č. 2093/P, oddiel: Sro.

New console:



NOT FOR PRODUCTION

Ref	0KPHSLE3	Name	Head plate type HSLE3----
Drawn	colpaesl	[0KPHSLE3]	
Date	18/03/2014	Tolerance	Standard
Material	1.0332 (DD11 untreated)	I.S.O. SYMBOL	

1	A	Tereogien van galen 010 (zender WFI)	10/08/2014	SC	By
Number		Edition	Description of the modification	Date	
Scale			1 : 2	Adapt drawing exclusively with CAD	
DRAWING NUMBER			46059	FORM	A4
				P 2	2 P

VERGOKAN
Meerslootweg 16
9700 Oudenaarde
Tel. 055/318335
Fax. 055/314388