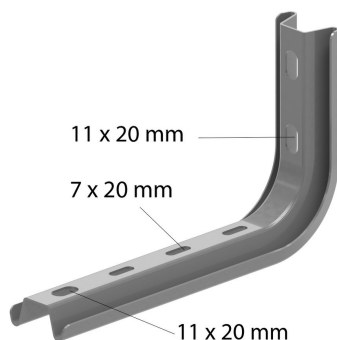


# I4LOMEGA150

## Bracket / Ceiling profile



	Max. load (in daN)
100	110
150	100
200	90
300	70
400	50
500	40
600	30

Reference	↕ mm	↔ mm	→  ← mm	↔ mm	kg/stk	📦	Unit
<b>I4LOMEGA150.100</b>	145	145			0,300	12	STK
<b>I4LOMEGA150.150</b>	145	195			0,320	12	STK
<b>I4LOMEGA150.200</b>	145	245			0,340	12	STK
<b>I4LOMEGA150.300</b>	145	345			0,490	6	STK
<b>I4LOMEGA150.400</b>	145	445			0,540	6	STK
<b>I4LOMEGA150.500</b>	145	545			0,640	6	STK
<b>I4LOMEGA150.600</b>	145	645			0,770	6	STK

Use the I4VOMEGA to avoid compression of the profiles.

Pickled and passivated.