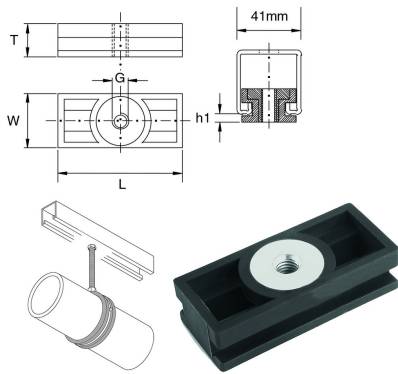


# US

## Slide Polyamide M10



Standard finish

Polyamide

HD	Reference	mm	mm	mm	mm	kg/stk	Stock	Unit
-	<b>1241076</b>	21	35	M10	80	0,068	10	STK

To order per full packaging.