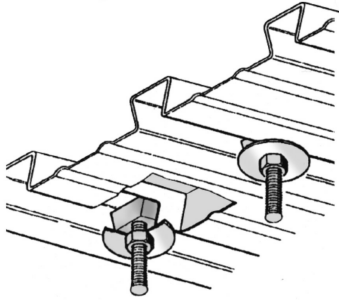


VN Special Ceiling Mounting System



Reference	↕ mm	↔ mm	→ ← mm	↔ mm	kg/stk	📦	Unit
VN10	13	13		25	0,018	100	STK