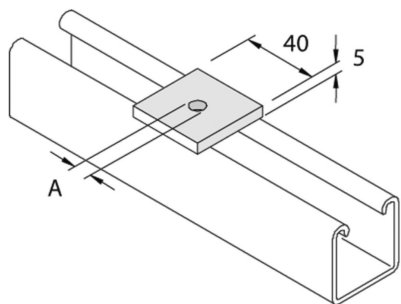


# P1020

## Fitting Square 40x40 D13



Reference	Finish	↕ mm	↔ mm	→  ← mm	↔ mm	kg/stk	📦	Unit
<b>P1020</b>	HD		40	5,0	40	0,062	100	STK
<b>P1020DF</b>	DF		40	5	40	0,062	100	STK

A=13, bolt M10/M12

Abbreviation:

- HG = Hot-Dip Galvanised

### Legend finish

- HD =

- DF = Defender