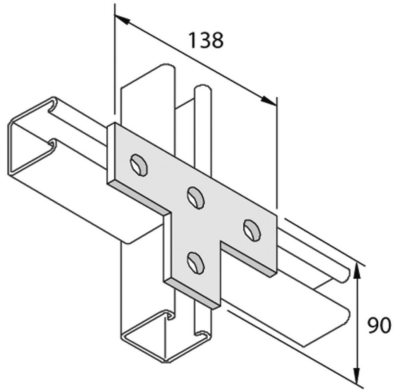


**P1031**  
Fitting flat T 4D14



| Reference      | Finish | ↕<br>mm | ↔<br>mm | →  ←<br>mm | ↔<br>mm | kg/stk | 📦  | Unit |
|----------------|--------|---------|---------|------------|---------|--------|----|------|
| <b>P1031</b>   | HD     |         | 90      |            | 138     | 0,374  | 10 | STK  |
| <b>P1031DF</b> | DF     | 90      |         |            | 138     | 0,374  | 10 | STK  |

Abbreviation:  
- HG = Hot-Dip Galvanised

**Legend finish**  
- HD =  
- DF = Defender