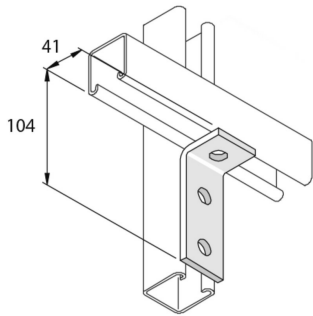


**P1326**  
Fitting 90° angle L 2D14



Reference	Finish	↕ mm	↔ mm	→  ← mm	↔ mm	kg/stk	📦	Unit
<b>P1326</b>	HG	41	40		104	0,213	20	STK

Abbreviation:  
- HG = Hot-Dip Galvanised

**Legend finish**  
- HG = Hot-dip galvanised