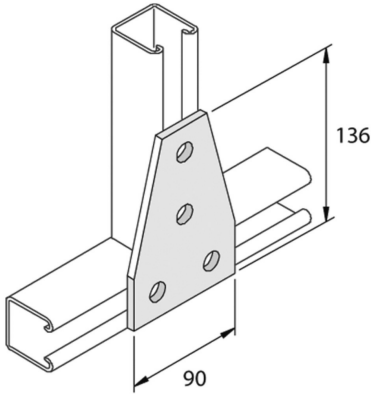


P1358
Fitting flat TR 4D14



Reference	Finish	↕ mm	↔ mm	→ ← mm	↔ mm	kg/stk	📦	Unit
P1358	HD		136		90	0,480	10	STK
P1358DF	DF	136			90	0,480	10	STK

Abbreviation:
- HG = Hot-Dip Galvanised

Legend finish
- HD =
- DF = Defender