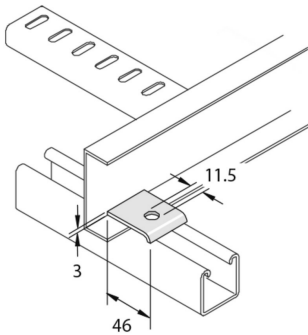


P1386-S1
J46 Profile clamp



| Reference | Finish | ↕ mm | ↔ mm | → ← mm | ↔ mm | kg/stk | 📦 | Unit |
|-----------------|--------|---------|---------|------------|---------|--------|----|------|
| P1386-S1 | ZP | | | | 46 | 0,044 | 20 | STK |

Abbreviation:
- ZP = Zinc Plated

Legend finish
- ZP = Zinc plated