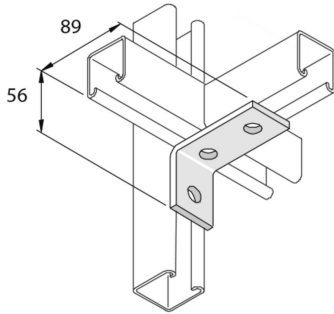


**P1458**  
Fitting 90° angle L 3D14



Reference	Finish	mm	mm	mm	mm	kg/stk	Unit
<b>P1458</b>	HG	56	40		89	0,213	10 STK

Abbreviation:  
- HG = Hot-Dip Galvanised

**Legend finish**  
- HG = Hot-dip galvanised