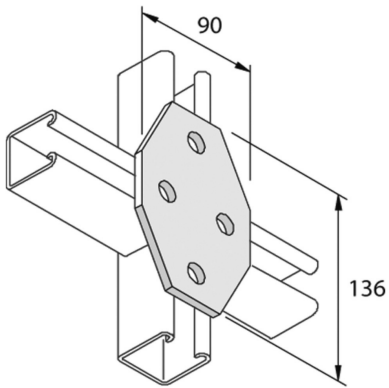


P1580
Fitting flat X 4D14



Reference	Finish	↕ mm	↔ mm	→ ← mm	↔ mm	kg/stk	📦	Unit
P1580	HD		90		136	0,480	10	STK
P1580DF	DF		90		136	0,480	10	STK

Abbreviation:
- HG = Hot-Dip Galvanised

Legend finish
- HD =
- DF = Defender