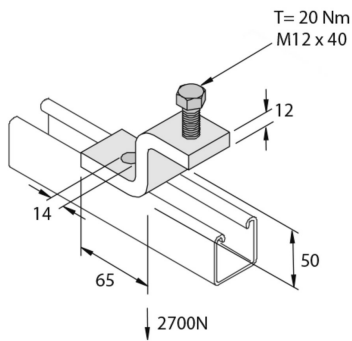


# P1983

## Z50 Clamp



Reference	Finish	↕ mm	↔ mm	→  ← mm	↔ mm	kg/stk	📦	Unit
<b>P1983</b>	HD	62	41	12,0	105	0,385	10	STK
<b>P1983DF</b>	DF	50	40			0,390	10	STK

Abbreviation:  
- HG = Hot-Dip Galvanised

**Legend finish**  
- HD =  
- DF = Defender