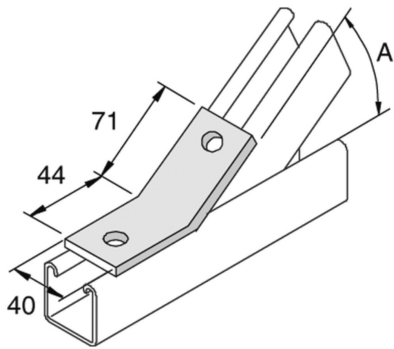


P2095
Fitting angle 75° 2D14



Reference	Finish	↕ mm	↔ mm	→ ← mm	↔ mm	kg/stk	📦	Unit
P2095	HG					0,188	10	STK

A = 75°

Abbreviation:

- HG = Hot-Dip Galvanised

Legend finish

- HG = Hot-dip galvanised