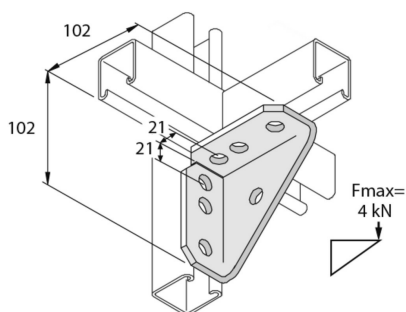


P2484
Fitting 90° angle TR 7D14



Reference	Finish	↕ mm	↔ mm	→ ← mm	↔ mm	kg/stk	📦	Unit
P2484	HD	102	41		102	0,608	10	STK
P2484DF	DF	102			102	0,608	10	STK

Abbreviation:
- HG = Hot-Dip Galvanised

Legend finish
- HD =
- DF = Defender