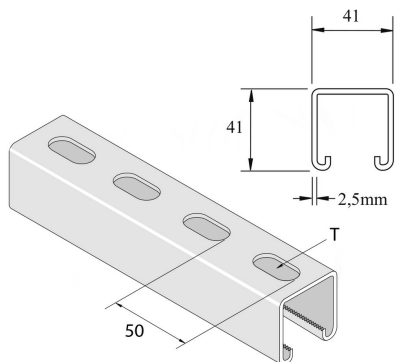


P1000T

Assembly profile



Reference	Finish	↕ mm	↔ mm	→ ← mm	↔ mm	kg/m	📦	Unit
P1000TP	PO	41	41	2,5	6000	2,605	6	M
P1000T	PG	41	41	2,5	6000	2,647	6	M
P1000TDF	DF	41	41	2,5	6000	2,647	6	M
P1000TPX3	PO	41	41	2,5	3000	2,605	3	M
P1000TX3	ZP	41	41	2,5	3000	2,730	3	M
P1000TX3DF	DF	41	41	2,5	3000	2,647	3	M
P1000TX2000	ZP	41	41	2,5	3000	2,462	2	M
P1000THX2	HG	41	41	2,5	2000	2,730	2	M

T = 28x14mm

Abbreviation:

- PO = Plain Oil
- ZP = Zinc Plated
- HG = Hot-dip Galvanised
- DF = Defender

Legend finish

- PO = Plain oil
- PG = Pregalvanised
- DF = Defender
- ZP = Zinc plated
- HG = Hot-dip galvanised