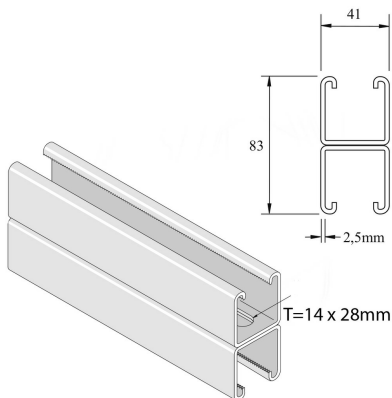


P1001T

Assembly profile



Reference	Finish	↕ mm	↔ mm	→ ← mm	↔ mm	kg/m	📦	Unit
P1001TP	PO	83	41	2,5	6000	5,220	6	M
P1001TPG	ZP	83	41	2,5	6000	5,303	6	M
P1001TDF	DF	83	41	2,5	6000	5,303	6	M
P1001TPGX3	ZP	83	41	2,5	3000	5,303	3	M
P1001TDFX3	DF	83	41	2,5	3000	5,303	3	M

Abbreviation:

- PO = Plain Oil
- ZP = Zinc Plated
- HG = Hot-Dip Galvanised
- DF = Defender

Legend finish

- PO = Plain oil
- ZP = Zinc plated
- DF = Defender