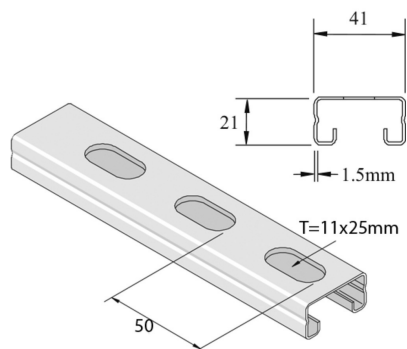


P4000T10

Assembly profile



Reference	Finish	↕ mm	↔ mm	→ ← mm	↔ mm	kg/m	📦	Unit
P4000T10	ZP	21	41	1,5	6000	1,103	6	M
P4000T10X2	ZP	21	41	1,5	2000	1,103	2	M
P4000T10X3	ZP	21	41	1,5	3000	1,160	3	M

Abbreviation:
- ZP = Zinc Plated

Legend finish
- ZP = Zinc plated