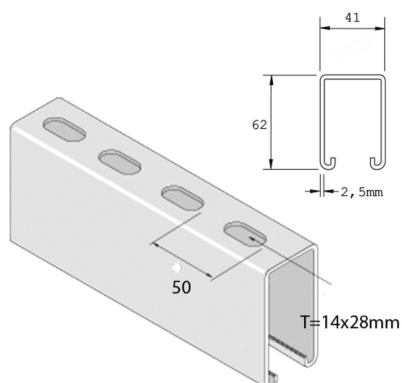


P5500T

Assembly profile



Reference	Finish	↕ mm	↔ mm	→ ← mm	↔ mm	kg/m	📦	Unit
P5500T	ZP	62	41	2,5	6000	3,490	6	M
P5500TDF	DF	62	41	2,5	6000	3,490	6	M
P5500TX3000	ZP	62	41	2,5	3000	3,490	3	M
P5500TDFX3	DF	62	41	2,5	3000	3,490	3	M

Abbreviation:
 - ZP = Zinc Plated
 - DF = Defender

Legend finish
 - ZP = Zinc plated
 - DF = Defender