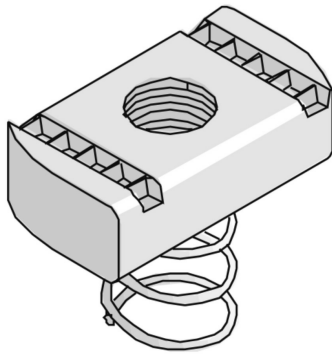


PNS

Sliding nut for supporting profile



Reference	↕ mm	↔ mm	→ ← mm	↔ mm	kg/stk	📦	Unit
PNS06ZP			M6		0,031	100	STK
PNS08ZP			M8		0,035	100	STK
PNS10ZP			M10		0,039	100	STK
PNS12AZP			M12		0,036	100	STK
PNS06HG			M6		0,031	100	STK
PNS08HG			M8		0,035	100	STK
PNS10HG			M10		0,039	100	STK
PNS12AHG			M12		0,036	100	STK

Applicable for 41x21 profile
Dimensions comply with ISO965-2.