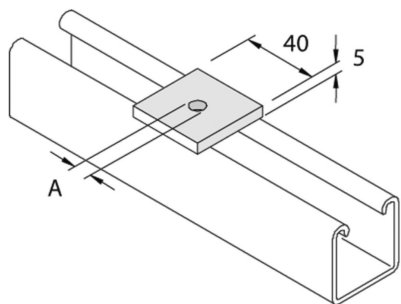


P1020

Fitting Square 40x40 D13



Reference	Finish	↕ mm	↔ mm	→ ← mm	↔ mm	kg/stk	📦	Unit
P1020	HD		40	5,0	40	0,062	100	STK
P1020DF	DF		40	5	40	0,062	100	STK

A=13, bolt M10/M12

Abbreviation:

- HG = Hot-Dip Galvanised

Legend finish

- HD =

- DF = Defender