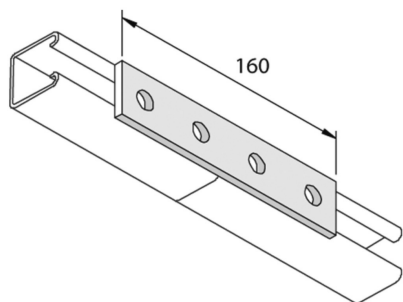


P1067
Fitting flat 4D14



Reference	Finish	↕ mm	↔ mm	→ ← mm	↔ mm	kg/stk	📦	Unit
P1067	HD		41		160	0,251	20	STK
P1067DF	DF		40		160	0,251	20	STK

Abbreviation:
- HG = Hot-Dip Galvanised

Legend finish
- HD =
- DF = Defender