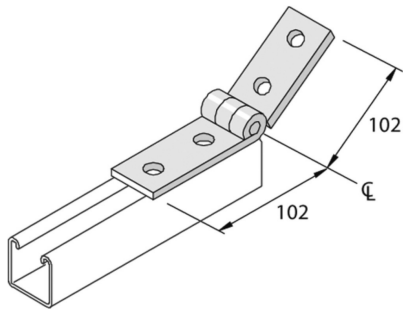


P1354

Hinge Fitting 4D14



Reference	Finish	↕ mm	↔ mm	→ ← mm	↔ mm	kg/stk	📦	Unit
P1354	ZP		40		102	0,452	10	STK
P1354DF	DF		40			0,550	10	STK

Abbreviation:
- ZP = Zinc Plated

Legend finish
- ZP = Zinc plated
- DF = Defender