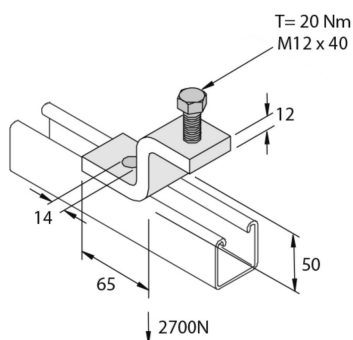


# P1983

## Z50 Clamp



| Reference      | Finish | ↕<br>mm | ↔<br>mm | →  ←<br>mm | ↔<br>mm | kg/stk | 📦  | Unit |
|----------------|--------|---------|---------|------------|---------|--------|----|------|
| <b>P1983</b>   | HD     | 62      | 41      | 12,0       | 105     | 0,385  | 10 | STK  |
| <b>P1983DF</b> | DF     | 50      | 40      |            |         | 0,390  | 10 | STK  |

Abbreviation:  
- HG = Hot-Dip Galvanised

**Legend finish**  
- HD =  
- DF = Defender