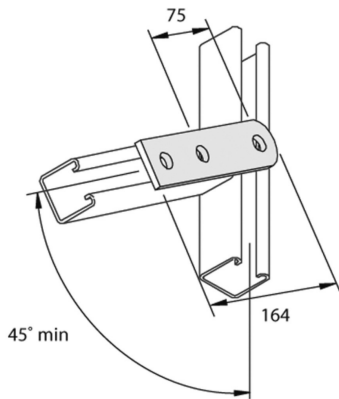


**P2322**  
**Fitting flat 3D14**



Reference	Finish	↕ mm	↔ mm	→  ← mm	↔ mm	kg/stk	📦	Unit
<b>P2322</b>	HG				164	0,238	20	STK

Abbreviation:  
- HG = Hot-Dip Galvanised

**Legend finish**  
- HG = Hot-dip galvanised