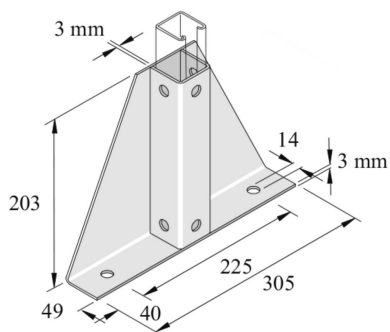


# P2348-S1

## Base plate TR305 single profile 8D14



Reference	Finish	↕ mm	↔ mm	→  ← mm	↔ mm	kg/stk	📦	Unit
<b>P2348-S1</b>	HD	203	49		305	1,952	1	STK
<b>P2348-S1DF</b>	DF	203			305	1,952	10	STK

Abbreviation:  
- HG = Hot-Dip Galvanised

**Legend finish**  
- HD =  
- DF = Defender