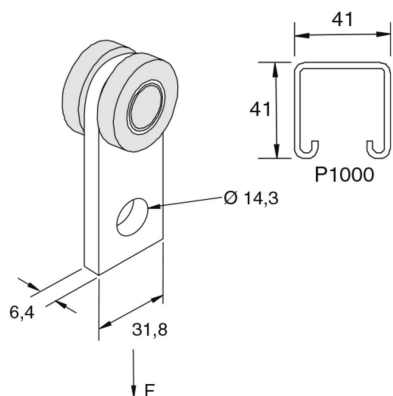


# P2949

## Channel trolley assembly



Reference	Finish	↕ mm	↔ mm	→  ← mm	↔ mm	kg/stk	📦	Unit
<b>P2949</b>	ZP				32	0,208	20	STK

mild steel

Abbreviation:

- ZP = Zinc Plated

**Legend finish**

- ZP = Zinc plated