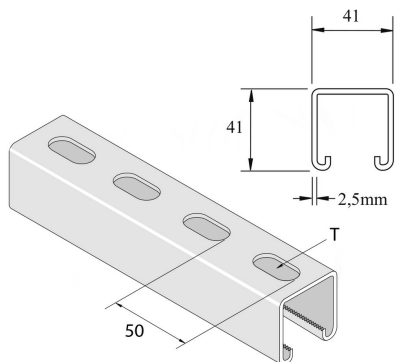


# P1000T

## Assembly profile



Reference	Finish	↑ mm	↔ mm	→  ← mm	↔ mm	kg/m	📦	Unit
<b>P1000TP</b>	PO	41	41	2,5	6000	2,605	6	M
<b>P1000T</b>	ZP	41	41	2,5	6000	2,647	6	M
<b>P1000TDF</b>	DF	41	41	2,5	6000	2,647	6	M
<b>P1000TPX3</b>	PO	41	41	2,5	3000	2,605	3	M
<b>P1000TX3</b>	ZP	41	41	2,5	3000	2,730	3	M
<b>P1000TX3DF</b>	DF	41	41	2,5	3000	2,647	3	M
<b>P1000TX2000</b>	ZP	41	41	2,5	3000	2,462	2	M
<b>P1000THX2</b>	HG	41	41	2,5	2000	2,730	2	M

T = 28x14mm

**Abbreviation:**

- PO = Plain Oil
- ZP = Zinc Plated
- HG = Hot-dip Galvanised
- DF = Defender

**Legend finish**

- PO = Plain oil
- ZP = Zinc plated
- DF = Defender
- HG = Hot-dip galvanised