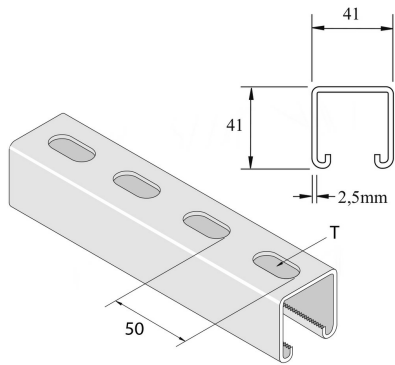


# P1000T10

## Assembly profile



Reference	Finish	↕ mm	↔ mm	→  ← mm	↔ mm	kg/m	📦	Unit
<b>P1000T10X3</b>	ZP	41	41	2,5	3000	2,685	3	M

T = 25x11mm

**Abbreviation:**

- PO = Plain Oil
- ZP = Zinc Plated
- HG = Hot-dip Galvanised
- DF = Defender

**Legend finish**

- ZP = Zinc plated