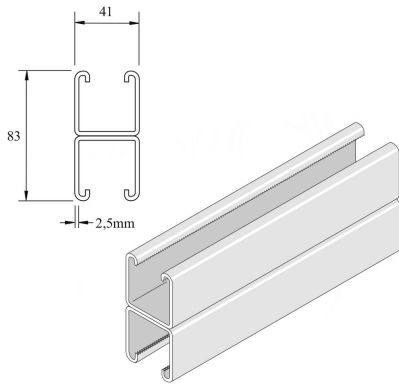


# P1001

## Assembly profile



| Reference           | Finish | ↕<br>mm | ↔<br>mm | →  ←<br>mm | ↔<br>mm | kg/m  | 📦   | Unit |
|---------------------|--------|---------|---------|------------|---------|-------|-----|------|
| <b>P1001P</b>       | -      | 82      | 41      | 2,5        | 6000    | 5,505 | 150 | M    |
| <b>P1001PG</b>      | ZP     | 83      | 41      | 2,5        | 6000    | 5,594 | 6   | M    |
| <b>P1001PGX3000</b> | -      | 82      | 41      | 2,5        | 3000    | 5,593 | 75  | M    |
| <b>P1001</b>        | HG     | 83      | 41      | 2,5        | 6000    | 5,770 | 6   | M    |
| <b>P1001X3000</b>   | HG     | 83      | 41      | 2,5        | 3000    | 5,770 | 3   | M    |

**Abbreviation:**

- ZP = Zinc Plated
- HG = Hot-Dip Galvanised

**Legend finish**

- ZP = Zinc plated
- HG = Hot-dip galvanised