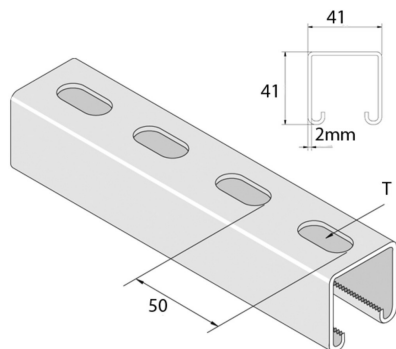


P1100T

Assembly profile



Reference	Finish	↕ mm	↔ mm	→ ← mm	↔ mm	kg/m	📦	Unit
P1100T	ZP	41	41	2	6000	2,110	6	M
P1100TH	HG	41	41	2	6000	2,110	6	M
P1100TX3	ZP	41	41	2	3000	2,184	3	M

Abbreviation:

- ZP = Zinc Plated
- HG = Hot-Dip Galvanised

Legend finish

- ZP = Zinc plated
- HG = Hot-dip galvanised