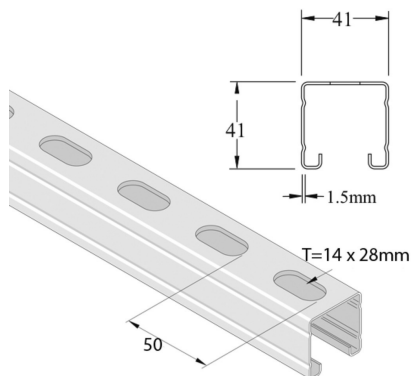


# P2000T

## Assembly profile



| Reference        | Finish | ↕<br>mm | ↔<br>mm | →  ←<br>mm | ↔<br>mm | kg/m  | 📦   | Unit |
|------------------|--------|---------|---------|------------|---------|-------|-----|------|
| <b>P2000TP</b>   | -      | 41      | 41      | 1,5        | 6000    | 1,593 | 300 | M    |
| <b>P2000TPX3</b> | -      | 41      | 41      | 1,5        | 3000    | 1,593 | 150 | M    |
| <b>P2000T</b>    | ZP     | 41      | 41      | 1,5        | 6000    | 1,635 | 6   | M    |
| <b>P2000TH</b>   | -      | 41      | 41      | 1,5        | 6000    | 1,720 | 900 | M    |
| <b>P2000TX3</b>  | ZP     | 41      | 41      | 1,5        | 3000    | 1,720 | 3   | M    |
| <b>P2000THX3</b> | -      | 41      | 41      | 1,5        | 3000    | 1,720 | 900 | M    |

Abbreviation:  
- ZP = Zinc Plated

**Legend finish**  
- ZP = Zinc plated