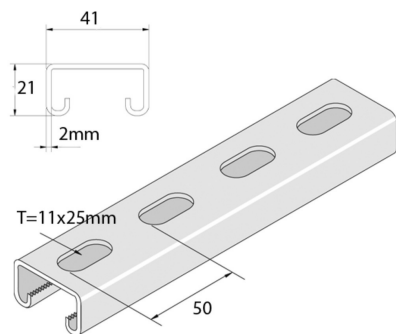


P3100T10

Assembly profile



| Reference | Finish | ↕ mm | ↔ mm | → ← mm | ↔ mm | kg/m | 📦 | Unit |
|-------------------|--------|---------|---------|------------|---------|-------|---|------|
| P3100T10 | ZP | 21 | 41 | 2 | 6000 | 1,531 | 6 | M |
| P3100TH10 | HG | 21 | 41 | 2 | 6000 | 1,531 | 6 | M |
| P3100T10X2 | ZP | 21 | 41 | 2 | 3000 | 1,531 | 2 | M |
| P3100T10X3 | ZP | 21 | 41 | 2 | 3000 | 1,408 | 3 | M |

Abbreviation:

- PO = Plain Oil
- ZP = Zinc Plated
- HG = Hot-Dip Galvanised

Legend finish

- ZP = Zinc plated
- HG = Hot-dip galvanised