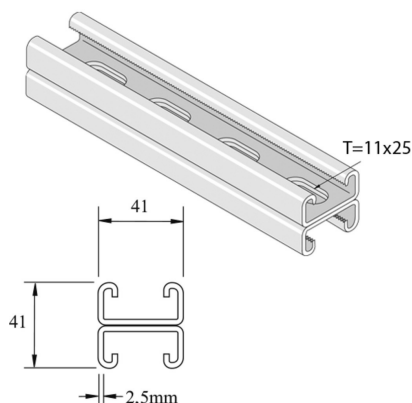


P3301T10

Assembly profile



| Reference | Finish | ↕ mm | ↔ mm | → ← mm | ↔ mm | kg/m | 📦 | Unit |
|---------------------|--------|---------|---------|------------|---------|-------|-----|------|
| P3301T10P | PO | 41 | 41 | 2,5 | 6000 | 3,590 | 150 | M |
| P3301T10PG | ZP | 41 | 41 | 2,5 | 6000 | 3,422 | 6 | M |
| P3301T10DF | DF | 41 | 41 | 2,5 | 6000 | 3,530 | 6 | M |
| P3301T10PGX3 | ZP | 41 | 41 | 2,5 | 3000 | 3,422 | 3 | M |
| P3301T10HX3 | ZP | 41 | 41 | 2,5 | 3000 | 3,530 | 75 | M |

Abbreviation:

- ZP = Zinc Plated
- HG = Hot-Dip Galvanised
- DF = Defender

Legend finish

- PO = Plain oil
- ZP = Zinc plated
- DF = Defender