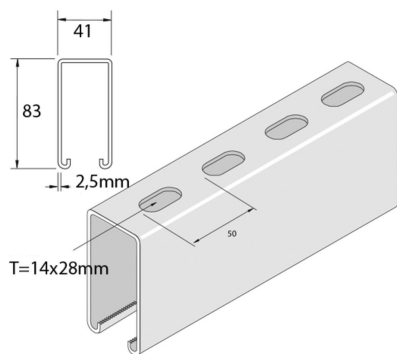


P5000T

Assembly profile



| Reference | Finish | ↕ mm | ↔ mm | → ← mm | ↔ mm | kg/m | 📦 | Unit |
|-----------------|--------|---------|---------|------------|---------|-------|----|------|
| P5000T | ZP | 83 | 41 | 2,5 | 6000 | 3,926 | 6 | M |
| P5000TX3 | - | 83 | 41 | 2,5 | 3000 | 3,926 | 60 | M |
| P5000TH | HG | 83 | 41 | 2,5 | 6000 | 4,050 | 6 | M |

Abbreviation:

- PO = Plain Oil
- ZP = Zinc Plated
- HG = Hot-Dip Galvanised

Legend finish

- ZP = Zinc plated
- HG = Hot-dip galvanised