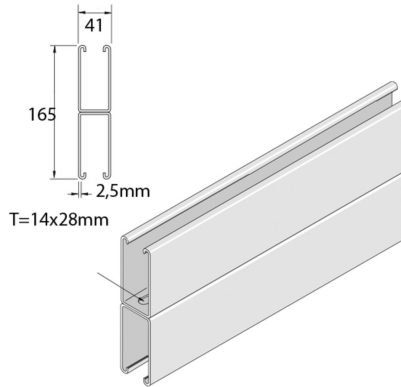


P5001T

Assembly profile



Reference	↑ mm	↔ mm	→ ← mm	↔ mm	kg/m	📦	Unit
P5001TH	165	41	2,5	6000	8,110	240	M

Abbreviation:
- HG = Hot-Dip Galvanised