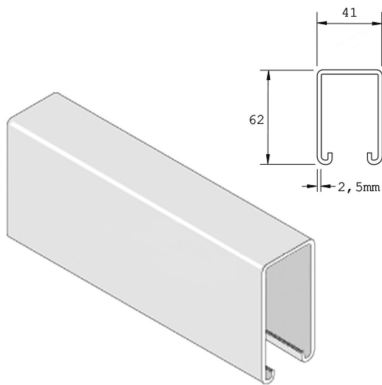


P5500

Assembly profile



Reference	Finish	↕ mm	↔ mm	→ ← mm	↔ mm	kg/m	📦	Unit
P5500	ZP	62	41	2,5	6000	3,418	6	M

Abbreviation:
 - ZP = Zinc Plated
 - DF = Defender

Legend finish
 - ZP = Zinc plated