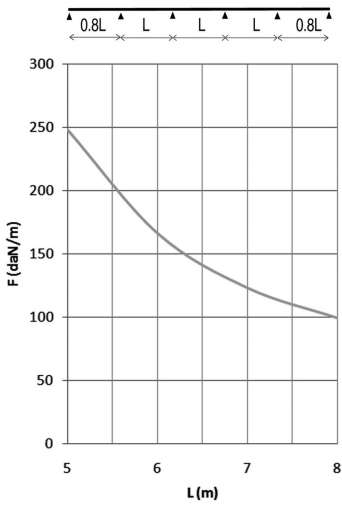
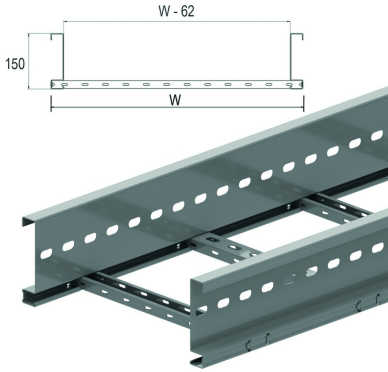


I6KLZ

Cable ladder height 150



Cable ladder for large support distances
For span distance up to 8 metres
Perforated C rungs 41 x 21

Usable inner height: 127 mm
Rung distance: 250 mm
To order: Length 3000 mm
To order: Width 700 - 1200 mm (increments of 100 mm)

Reference	↑ mm	↔ mm	→ ← mm	↔↔ mm	kg/m	📦	Unit
I6KLZ200	150	218	1,5	6000	8,334	48	M
I6KLZ300	150	318	1,5	6000	8,590	48	M
I6KLZ400	150	418	1,5	6000	8,846	48	M
I6KLZ500	150	518	1,5	6000	9,102	48	M
I6KLZ600	150	618	1,5	6000	9,358	48	M

LOAD DIAGRAM

This diagram illustrates the permissible uniformly distributed horizontal loads applied to multiple supports. They comply with IEC 61537 with connection in the centre of the span and the end span = 0,8x the span.

F = max. admissible load (daN/m)
L = support distance (m)
Max. deflection (m) = L/200

CHARACTERISTICS

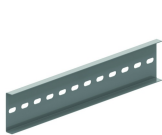
- strong
- usable inner height 127 mm, ideal for large diameter cables
- no further coupling holes are required if the cable ladder is cut
- no joiners are required to attach accessories such as bends, tees etc.
- rungs are perforated to enable efficient attachment of cables
- partition (I6SLOS110) can be fixed to the cable ladder with a sliding nut (I6PNP06) and pan head bolt (I6RB6.20).

TECHNICAL INFORMATION

- Side walls are constructed from S profile with a return flange and are continuously perforated
- C-profile rungs are fixed at 250 mm intervals.
- rungs are mechanically attached to the side wall of the cable ladder.
- rungs are alternately placed with openings upwards and downwards.

Pickled and passivated.

Fix with:



Joiner for I6KLZ
I6KLZKP



Round head square neck bolt (DIN 603)
I6RBK



Nut (DIN 934)
I6M



Giant washer (DIN 125-1 A)
I6RO