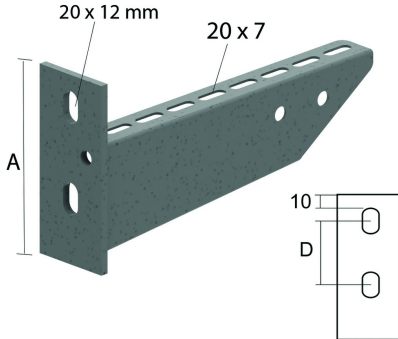


I6WK

Welded bracket



For direct fixing on the wall or on ceiling profiles.

| Width | Max. load (in daN) | A | D |
|-------|--------------------|-----|----|
| 100 | 360 | 98 | 38 |
| 150 | 300 | 102 | 42 |
| 200 | 240 | 106 | 46 |
| 300 | 250 | 114 | 54 |
| 400 | 260 | 122 | 62 |
| 500 | 220 | 130 | 70 |
| 600 | 180 | 138 | 78 |

| Reference | ↕ mm | ↔ mm | → ← mm | ↔ mm | kg/stk | 📦 | Unit |
|----------------|---------|---------|------------|---------|--------|----|------|
| I6WK100 | 98 | 117 | | | 0,300 | 24 | STK |
| I6WK150 | 102 | 167 | | | 0,360 | 24 | STK |
| I6WK200 | 106 | 217 | | | 0,430 | 12 | STK |
| I6WK300 | 114 | 317 | | | 0,730 | 12 | STK |
| I6WK400 | 122 | 417 | | | 0,880 | 6 | STK |
| I6WK500 | 130 | 517 | | | 1,300 | 6 | STK |
| I6WK600 | 138 | 617 | | | 1,600 | 6 | STK |

For fixing on the ceiling profile, the necessary fixing set is to be ordered separately: sliding nut I6PNP10 and bolt I6B10.20.
Max. load (in daN): Uniformly distributed load (UDL) over complete width of cantilever brackets.

Pickled and passivated.