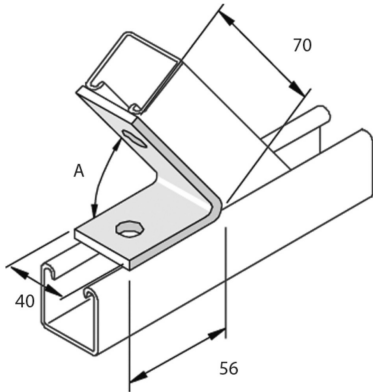


**P1186SS**  
Fitting angle **135° 2D14**



Reference	↕ mm	↔ mm	→  ← mm	↔ mm	kg/stk	📦	Unit
<b>P1186SS</b>					0,194	20	STK

A = 135°