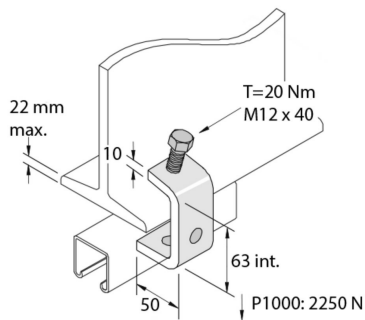


P1271SS
I-beam clamp C63



Reference	↕ mm	↔ mm	→ ← mm	↔ mm	kg/stk	📦	Unit
P1271SS	63	40		50	0,431	10	STK