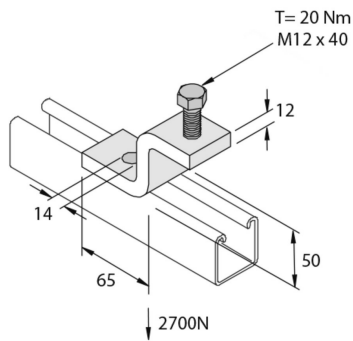


P1983SS
Z50 Clamp



Reference	↕ mm	↔ mm	→ ← mm	↔ mm	kg/stk	📦	Unit
P1983SS	50	40			0,389	10	STK