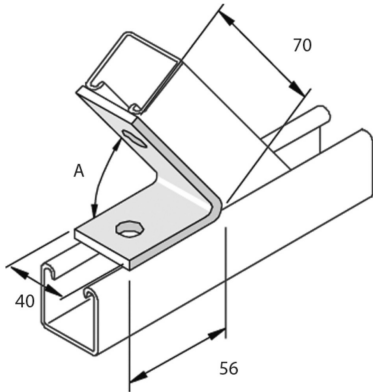


**P2106SS**  
Fitting angle 105° 2D14



Reference	↕ mm	↔ mm	→  ← mm	↔ mm	kg/stk	📦	Unit
<b>P2106SS</b>		40			0,194	10	STK