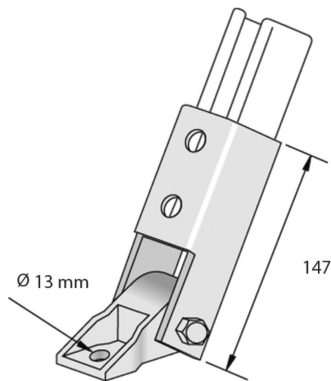


P2815S

Base plate variable angle



Reference	Finish	↕ mm	↔ mm	→ ← mm	↔ mm	kg/stk	📦	Unit
P2815S	ZP					1,528	10	STK

Abbreviation:
- ZP = Zinc Plated

Legend finish
- ZP = Zinc plated