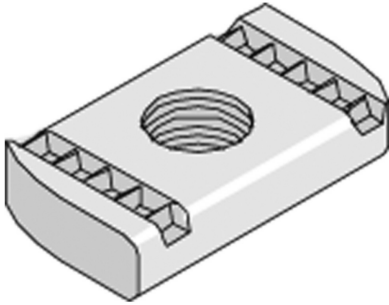


## PNP SS

### Sliding nut for supporting profile



Reference	↕ mm	↔ mm	→  ← mm	↔ mm	kg/stk	📦	Unit
<b>PNP06SS</b>			M6		0,028	100	STK
<b>PNP08SS</b>			M8		0,034	100	STK
<b>PNP10SS</b>			M10		0,038	100	STK
<b>PNP12ASS</b>			M12		0,038	100	STK