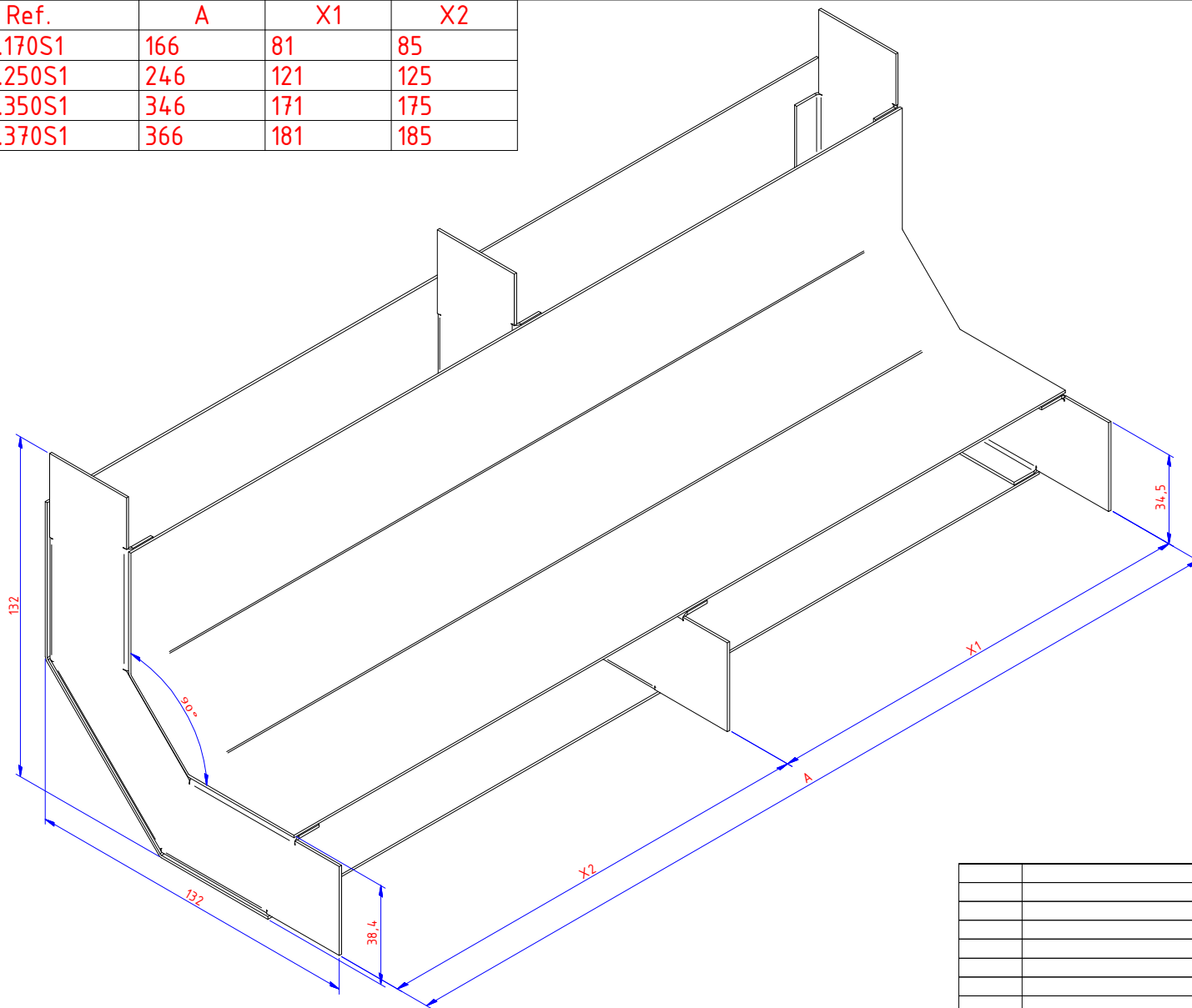

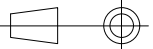


Ref.	A	X1	X2
VSB38.170S1	166	81	85
VSB38.250S1	246	121	125
VSB38.350S1	346	171	175
VSB38.370S1	366	181	185



NOT FOR PRODUCTION

1	A	Aanpassen lengte ineen schuiven (zie WF 1NEOBP - 14 07 2015)	22/07/2015	sc
Number	Edition	Description of the modification	Date	By
Scale:			1 : 2	Adapt drawing exclusively with CAD
DRAWING NUMBER				
45037		9700 Oudenaarde	A4	3 P.

Ref.	VSB38.---S1	Name	Rising / low elbow for floor trunking [VSB38.350S1]	
Drawn	coppenku			
Date	7/04/1998			
Material:	Tolerance:	Standard:	I.S.O. SYMBOL	
1.0226 (DX51 Pregalva.)	-			